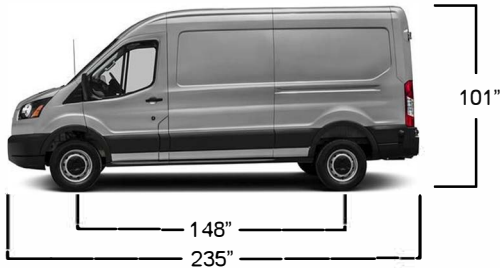
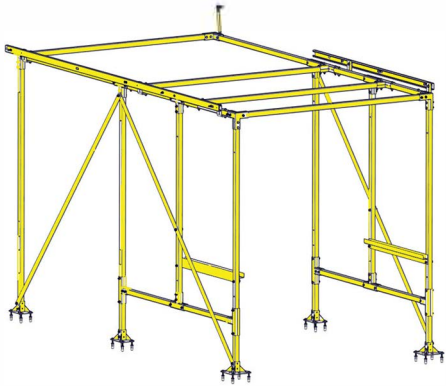


# WALLSLIDE™ FITMENT GUIDE

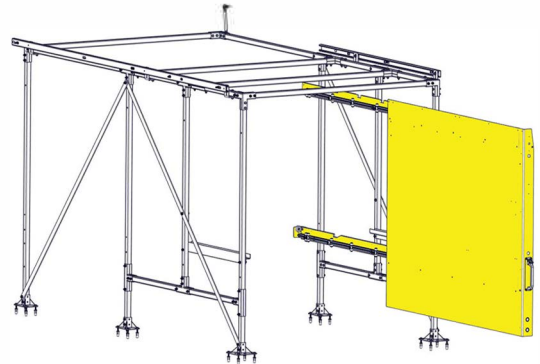
## FORD TRANSIT MID ROOF 148WB



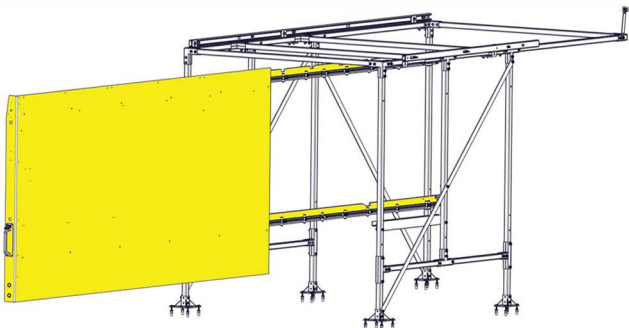
The **WALLSLIDE** System is a steel framework mounted inside the van with aluminum sliding walls. From motorized walls to lighting, **WALLSLIDE** is fully customizable with several options and designed to attach most brands of shelving, bins, or containers onto the sliding walls.



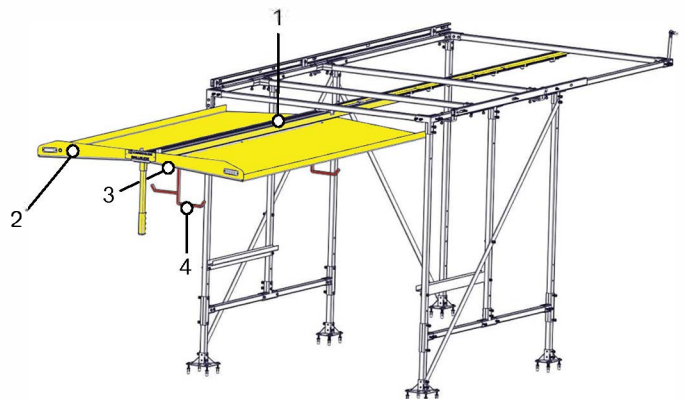
**WSS500** - Framework Only \*\$1,093



**WSS502** - Right 65" Wall (no shelving) \*\$2,344



**WSS501** - Left 110" Wall (no shelving) \*\$3,468



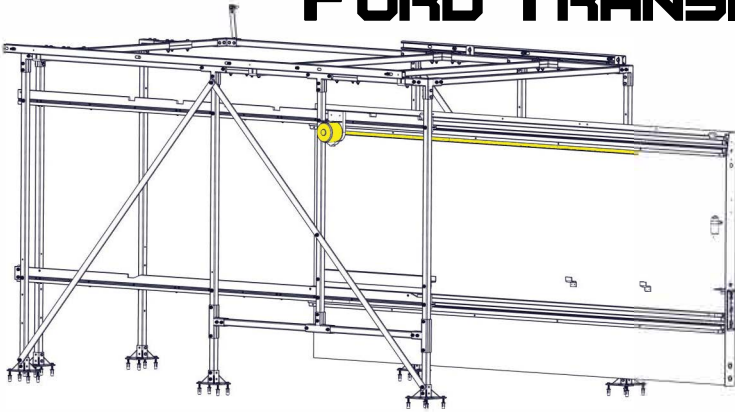
- 1 **WSR500** - Ceiling Slide Rail Only \*\$1,359
- 2 **WSC500** - Ceiling Canopy Kit \*\$2,156
- 3 **WSL072** - 72" Light Strip \*\$166
- 4 **WSLadder1** - Fixed Ladder Racks \*\$61
- WSLadder1F** - Folding Ladder Racks \*\$77

\*Prices are MSRP

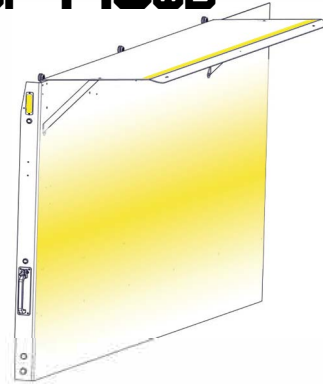


# WALLSLIDE

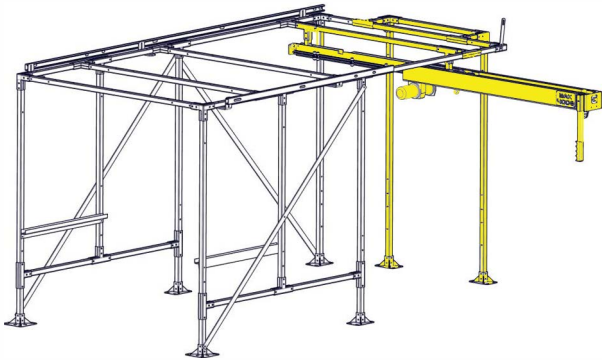
## FORD TRANSIT MID ROOF 148WB



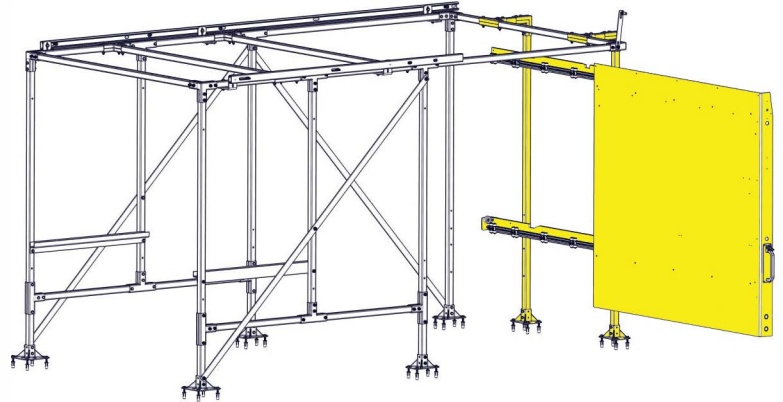
**WSMotor110** - Motorized 110" Left Wall \*\$1,259  
**WSMotor065** - Motorized 65" Right Wall \*\$1,259



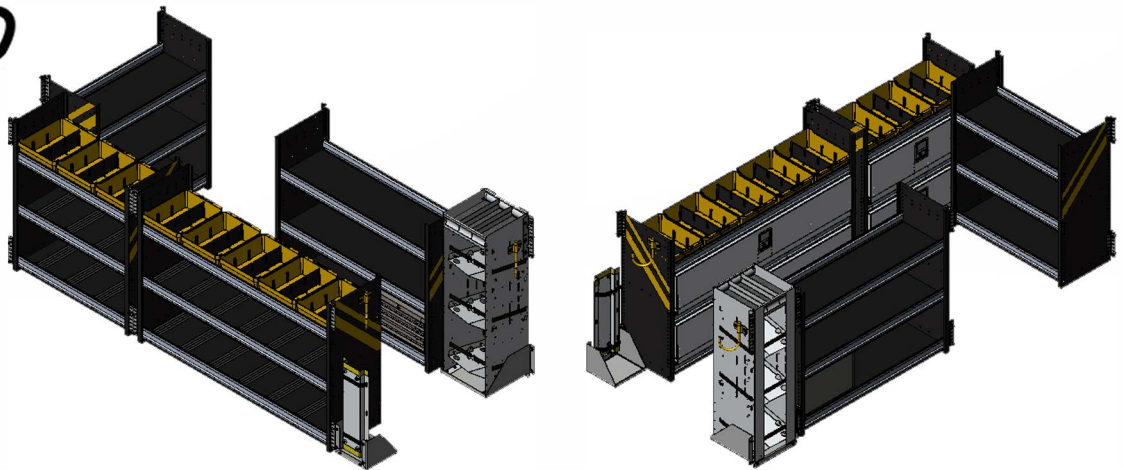
**WPC110** - Wall Weather Canopy \*\$222  
**WPC065** - Wall Weather Canopy \*\$196  
**WSL006** - 6" Strobe Light \*\$60  
**WSL048** - 48" Light Strip for WPC065 \*\$138  
**WSL072** - 72" Light Strip for WPC110 \*\$166



**WSGantry500** - Gantry Crane \*\$1,988



**WSB500** - BulkHead Framework & Wall Only \*\$1,828  
 Available with all Wall Options



Ranger Design Q58529 - Mr HVAC Package

