

WALLSLIDE™

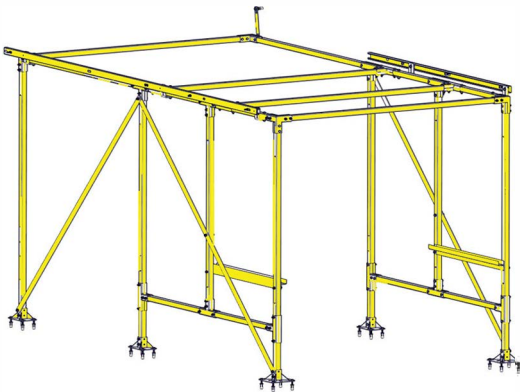
TM

WALLSLIDE™ FITMENT GUIDE

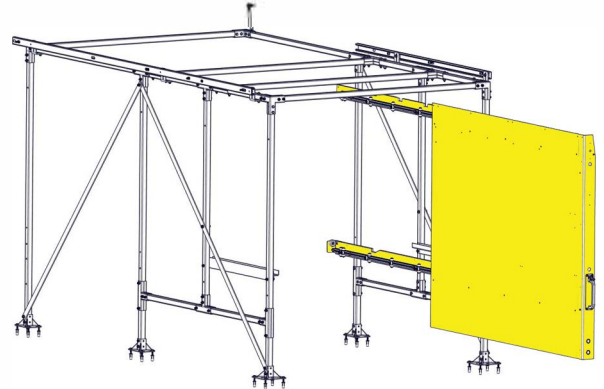
MERCEDES SPRINTER STANDARD ROOF 144WB



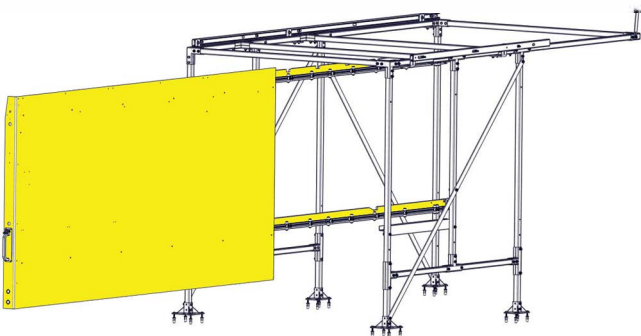
The **WALLSLIDE** System is a steel framework mounted inside the van with aluminum sliding walls. From motorized walls to lighting, **WALLSLIDE** is fully customizable with several options and designed to attach most brands of shelving, bins, or containers onto the sliding walls.



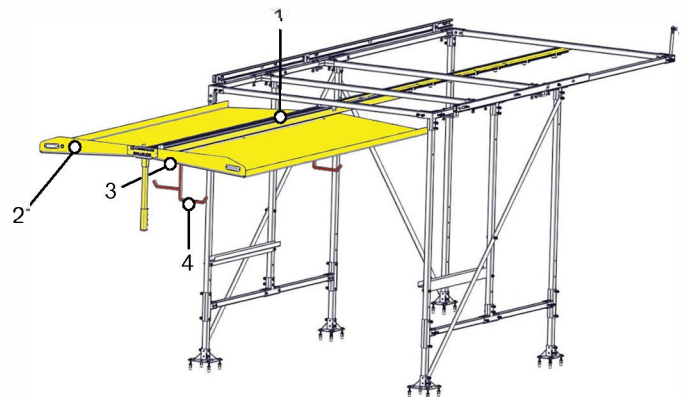
WSS100 - Framework Only *\$1,093



WSS102 - Right 65" Wall (no shelving) *\$2,344



WSS101 - Left 110" Wall (no shelving) *\$3,468

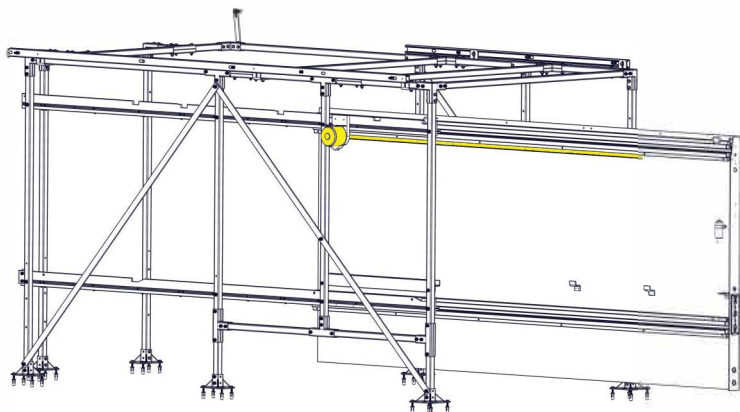


- 1 **WSR100 - Ceiling Slide Rail Only** *\$1,359
- 2 **WSC100 - Ceiling Canopy Kit** *2,156
- 3 **WSL072 - 72" Light Strip** *\$166
- 4 **WSLadder1 - Fixed Ladder Racks** *\$61
WSLadder1F - Folding Ladder Racks *\$77

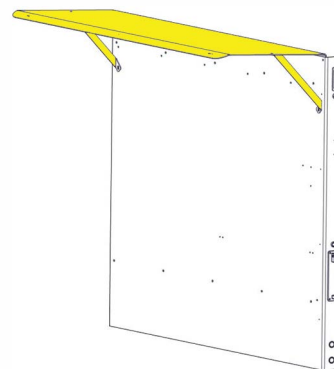
*Prices are MSRP

WALLSLIDE

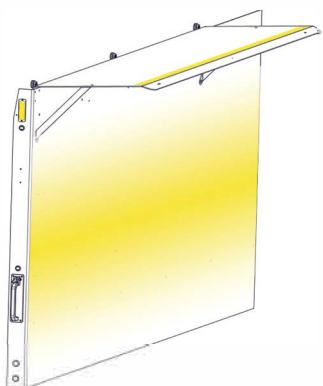
MERCEDES SPRINTER STANDARD ROOF 144WB



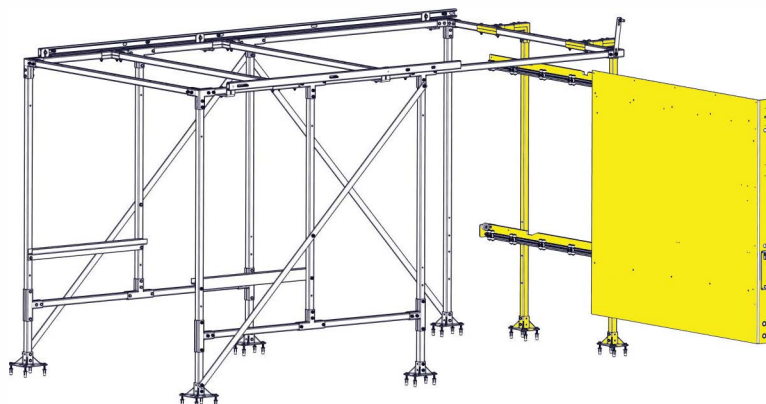
WSMotor110 - Motorized 110" Left Wall *\$1,259
WSMotor065 - Motorized 65" Right Wall *\$1,259



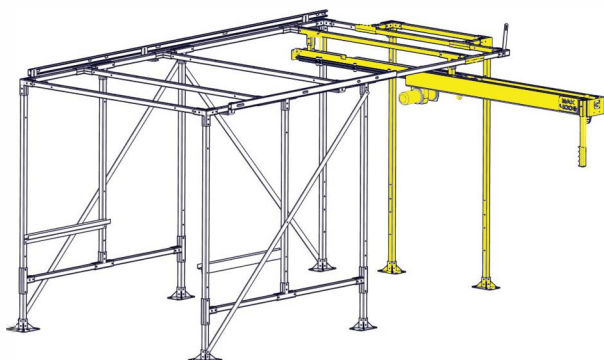
WPC110 - 110" Wall Canopy *\$222
WPC065 - 65" Wall Canopy *\$196



WSL006 - 6" Strobe Light *\$60
WSL048 - 48" Light Strip for 65" Wall *\$138
WSL072 - 72" Light Strip for 110" Wall *\$166



WSB100 - BulkHead Framework & Wall *\$1,828
available with all wall options



WSGantry100 - Gantry Crane *\$1,988



WALLSLIDE Systems are compatible with **CARGOGLIDE** floor units that pull out of the rear and side of your van.