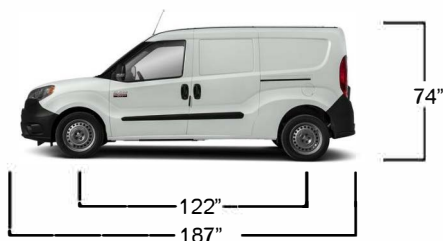


WALLSLIDE™

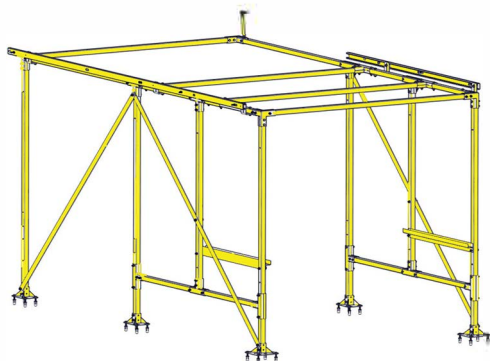
TM

WALLSLIDE™ FITMENT GUIDE

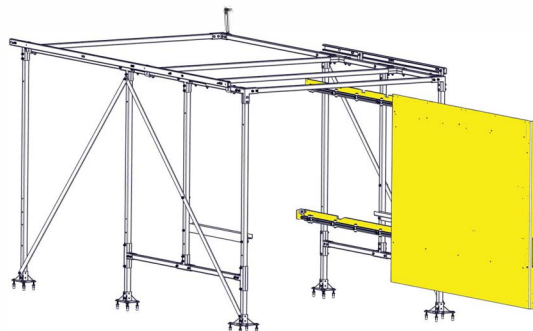
RAM PROMASTER CITY 122WB



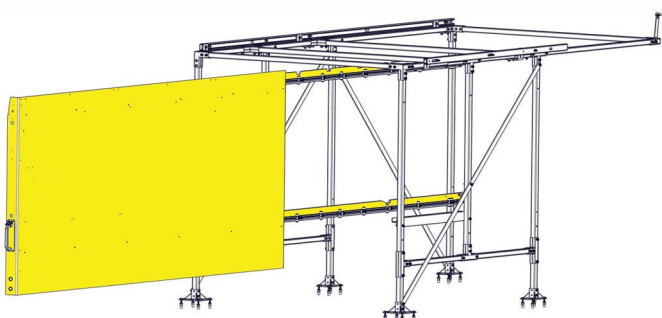
The **WALLSLIDE** System is a steel framework mounted inside the van with aluminum sliding walls. From motorized walls to lighting, **WALLSLIDE** is fully customizable with several options and designed to attach most brands of shelving, bins, or containers onto the sliding walls.



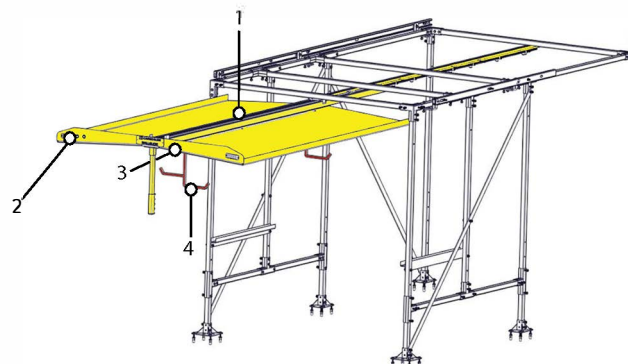
WSS460 - Framework Only *\$864



WSS462 - Right 46" Wall (no shelving) *\$1,834



WSS461 - Left 46" Wall (no shelving) *\$1,834

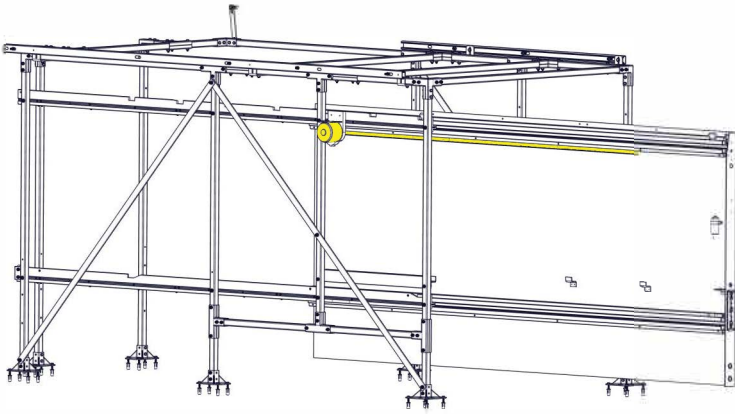


- 1 **WSR460** - Ceiling Slide Rail Only *\$669
- 2 Ceiling Canopy Kit Available Upon Request
- 3 **WSL072** - 72" Light Strip *\$166
- 4 **WSLadder1** - Fixed Ladder Racks *\$61
WSLadder1F - Folding Ladder Racks *\$77

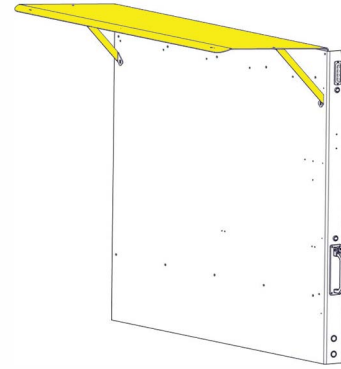
*Prices are MSRP

WALLSLIDE

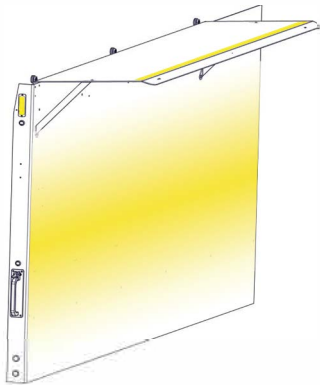
RAM PROMASTER CITY 122WB



WSMotor46 - Motorized 46" Wall *\$1,259

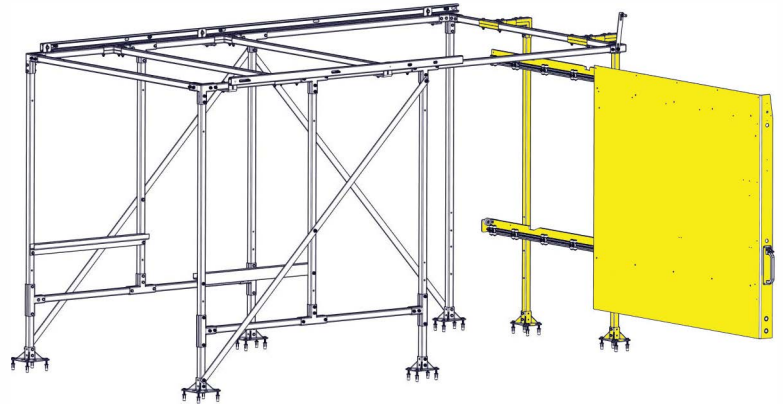


WPC046 - Wall Weather Canopy *\$196

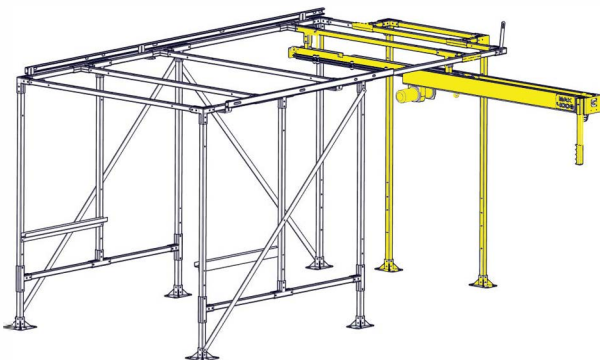


WSL006 - 6" Strobe Light *\$60

WSL024 - 48" Light Strip for WPC046 *\$111



WSB430 - BulkHead Framework & Wall Only *\$1,555
Available Upon Request



WSGantry460 - Gantry Crane *\$1,988
Available Upon Request



WALLSLIDE Systems are compatible with **CARGOGLIDE** floor units that pull out of the rear and side of your van.