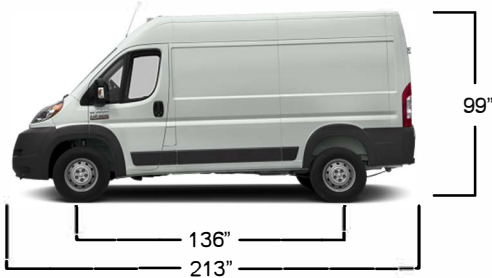


# WALLSLIDE™

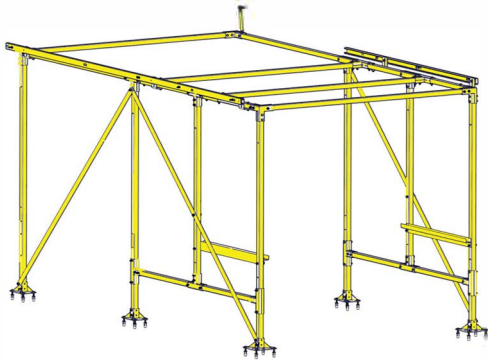
TM

## WALLSLIDE™ FITMENT GUIDE

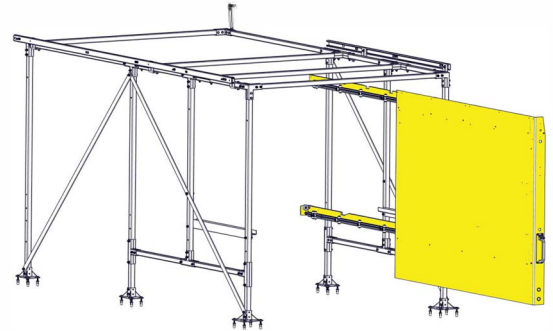
### RAM PROMASTER HIGH ROOF 136WB



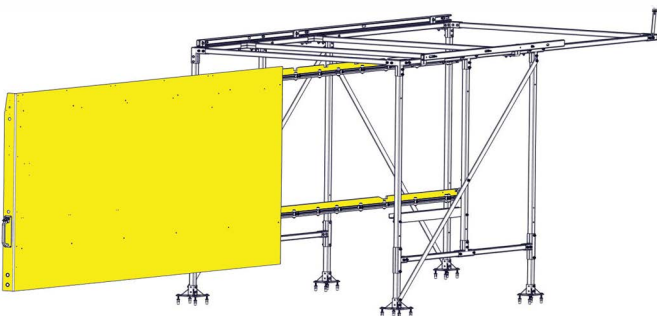
The **WALLSLIDE** System is a steel framework mounted inside the van with aluminum sliding walls. From motorized walls to lighting, **WALLSLIDE** is fully customizable with several options and designed to attach most brands of shelving, bins, or containers onto the sliding walls.



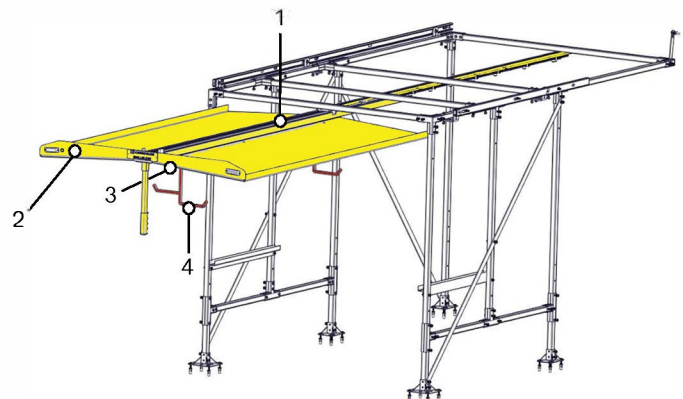
**WSS430** - Framework Only \*\$1,025



**WSS432** - Right 60" Wall (no shelving) \*\$2,237



**WSS431** - Left 100" Wall (no shelving) \*\$3,380

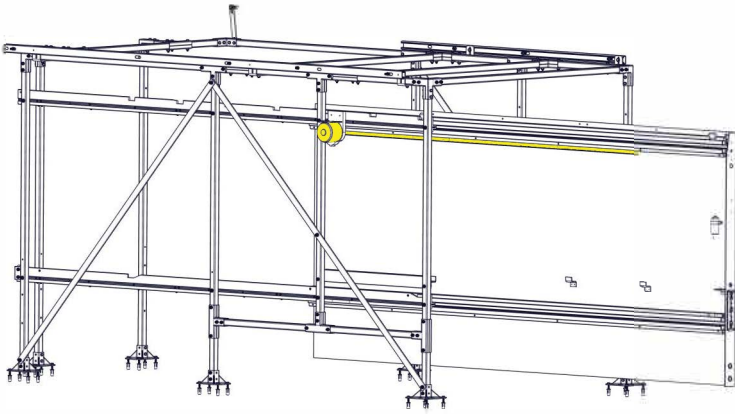


- 1 **WSR430** - Ceiling Slide Rail Only \*\$1,359
- 2 **WSC430** - Ceiling Canopy Kit \*2,156
- 3 **WSL072** - 72" Light Strip \*\$166
- 4 **WSLadder1** - Fixed Ladder Racks \*\$61
- WSLadder1F** - Folding Ladder Racks \*\$77

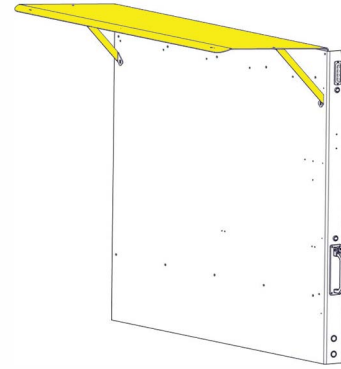
\*Prices are MSRP

# WALLSLIDE

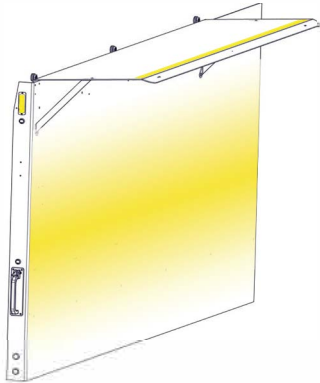
## RAM PROMASTER HIGH ROOF 136WB



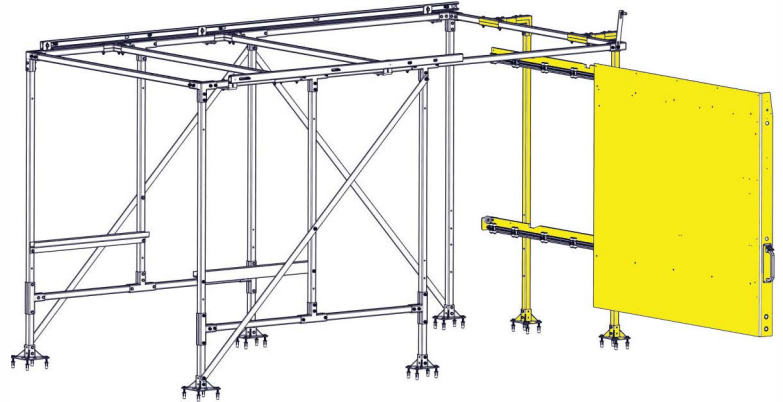
**WSMotor100** - Motorized 100" Left Wall \*\$1,259  
**WSMotor060** - Motorized 60" Right Wall \*\$1,259



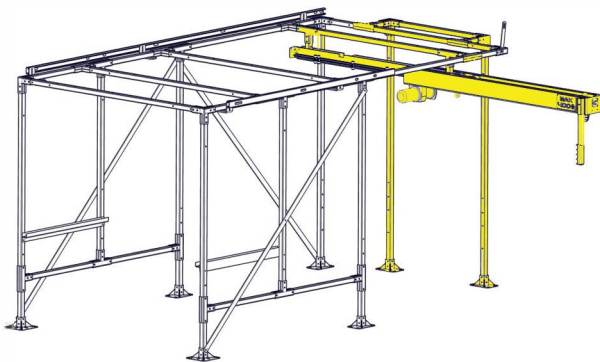
**WPC100** - Wall Weather Canopy \*\$222  
**WPC060** - Wall Weather Canopy \*\$196



**WSL006** - 6" Strobe Light \*\$60  
**WSL024** - 24" Light Strip for WPC060 \*\$111  
**WSL072** - 72" Light Strip for WPC100 \*\$166



**WSB430** - BulkHead Framework & Wall Only  
Available Upon Request



**WSGantry430** - Gantry Crane \*\$1,988



**WALLSLIDE** Systems are compatible with **CARGOGLIDE** floor units that pull out of the rear and side of your van.