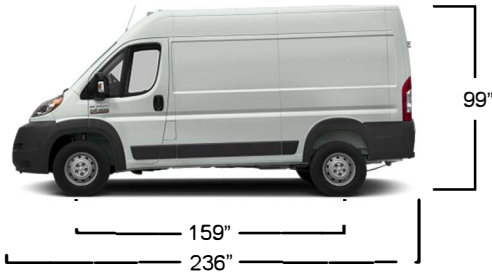


WALLSLIDE

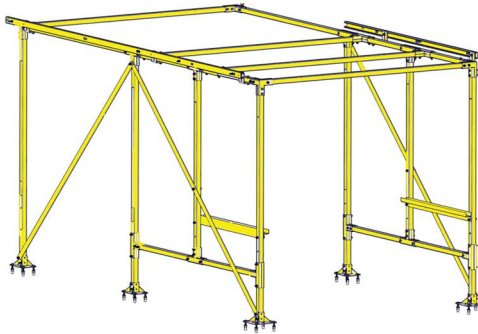
TM

WALLSLIDE™ FITMENT GUIDE

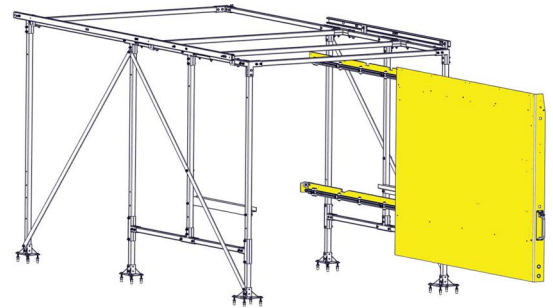
RAM PROMASTER HIGH ROOF 159WB



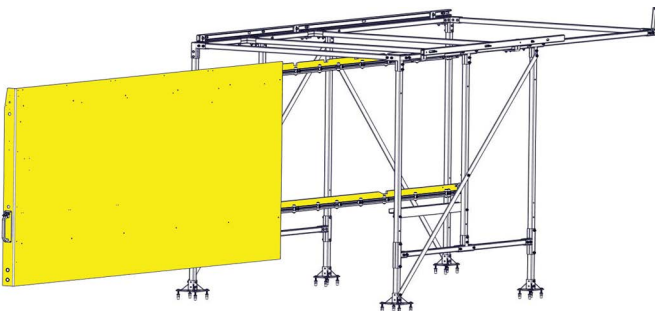
The **WALLSLIDE** System is a steel framework mounted inside the van with aluminum sliding walls. From motorized walls to lighting, **WALLSLIDE** is fully customizable with several options and designed to attach most brands of shelving, bins, or containers onto the sliding walls.



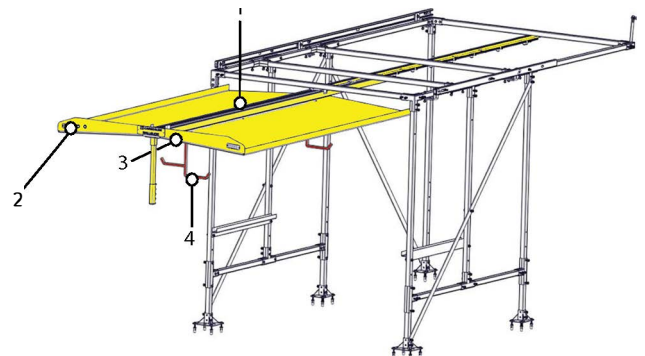
WSS450 - Framework Only *\$1,102



WSS452 - Right 84" Wall (no shelving) *\$2,754



WSS451 - Left 110" Wall (no shelving) *\$3,578



1 **WSR450** - Ceiling Slide Rail Only *1,359

2 **WSC450** - Ceiling Canopy *2,156

3 **WSL072** - 72" Light Strip *\$166

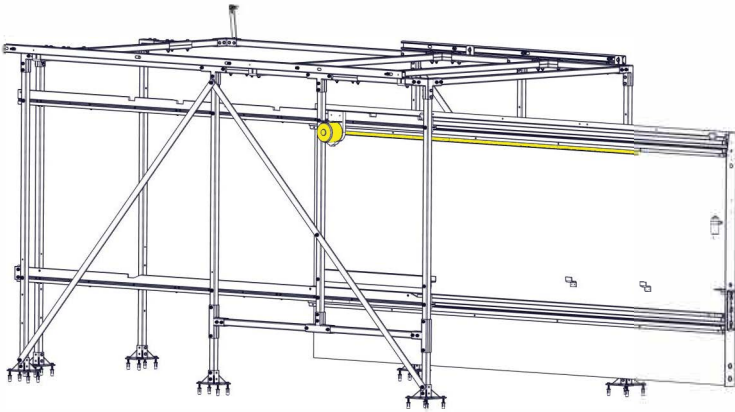
4 **WSLadder1** - Fixed Ladder Racks *\$61

WSLadder1F - Foldable Ladder Racks *\$77

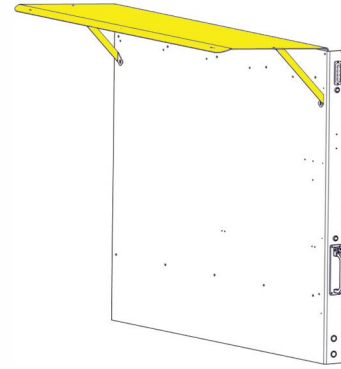
*Prices are MSRP

WALLSLIDE

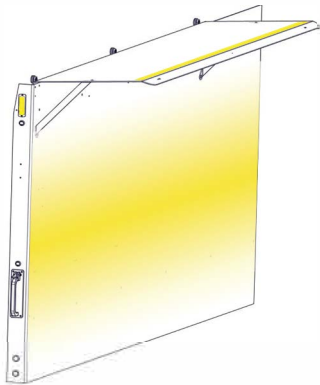
RAM PROMASTER HIGH ROOF 159WB



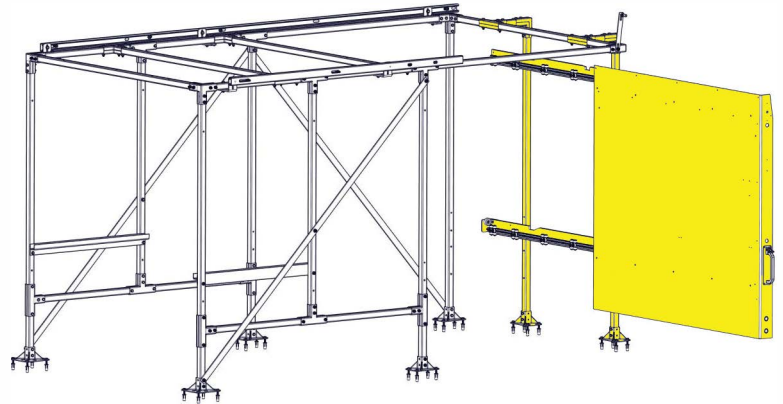
WSMotor110 - Motorized 110" Left Wall *\$1,259
WSMotor084 - Motorized 84" Right Wall *\$1,259



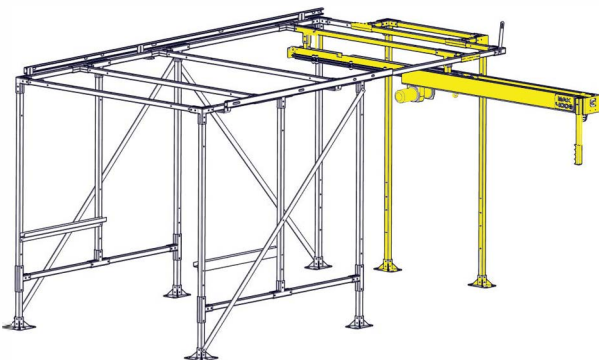
WPC110 - Wall Weather Canopy *\$222
WPC084 - Wall Weather Canopy *\$222



WSL006 - 6" Strobe Light *\$60
WSL048 - 48" Light Strip for WPC084 *\$138
WSL072 - 72" Light Strip WPC110 *\$166



WSB430 - BulkHead Framework & Wall Only
Available Upon Request



WSGantry450 - Gantry Crane *\$1,988



WALLSLIDE Systems are compatible with **CARGOGLIDE** floor units that pull out of the rear and side of your van.