

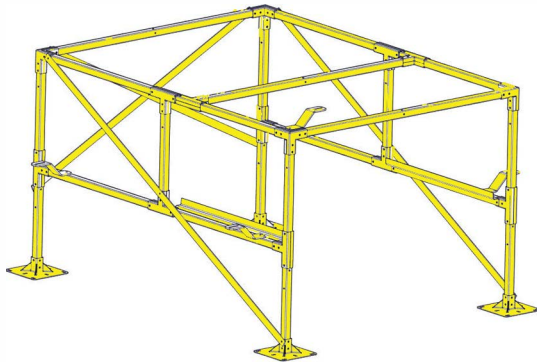
# WALLSLIDE™

## TRUCK WALLSLIDE™ FITMENT GUIDE

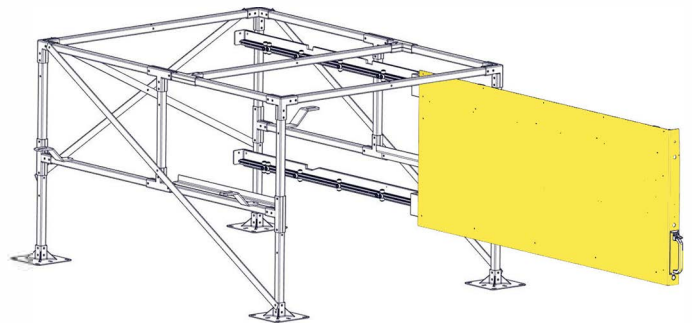
### FORD F-150 6.5FT BED A.R.E. 23" DCU



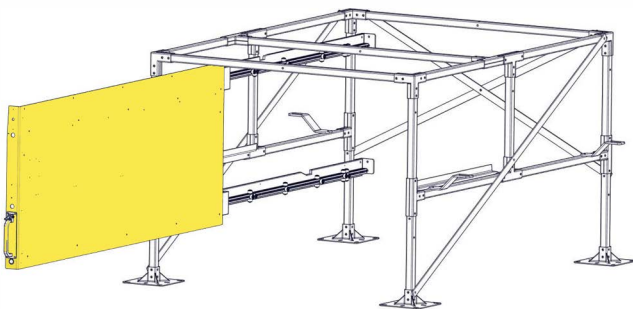
The **TRUCK WALLSLIDE** System is a steel framework mounted inside the truck with aluminum sliding walls. From motorized walls to lighting, **TRUCK WALLSLIDE** is fully customizable with several options and designed to attach most brands of shelving, bins, or containers onto the sliding walls.



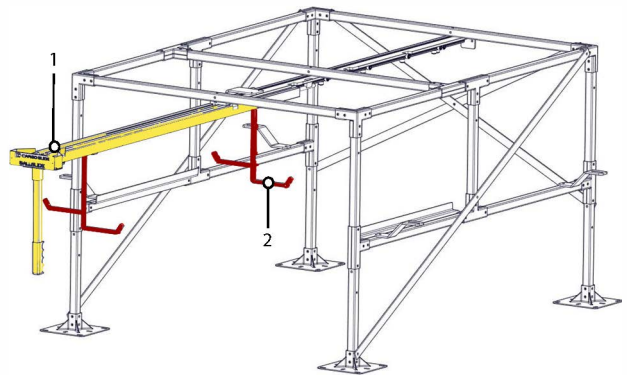
**WSST500 - Framework Only** \*\$1,083



**WSST502 - 70" Right Wall (no shelving)** \*\$1,761



**WSST501 - 70" Left Wall (no shelving)** \*\$1,761

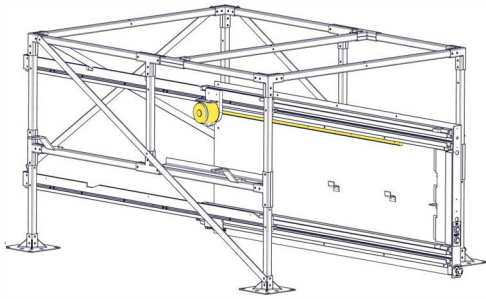


- 1 **WSRT500 - 70" Ceiling Slide Rail** \*\$928
- 2 **WSLadder1 - Fixed Ladder Racks** \*\$61
- WSLadder1F - Folding Ladder Racks** \*\$77

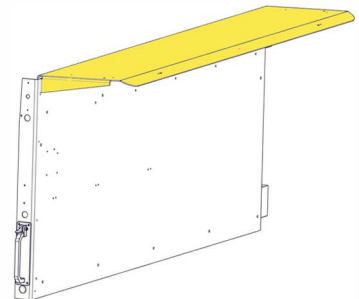
\*Prices are MSRP

# CARGOGLIDE TRUCK WALLSLIDE

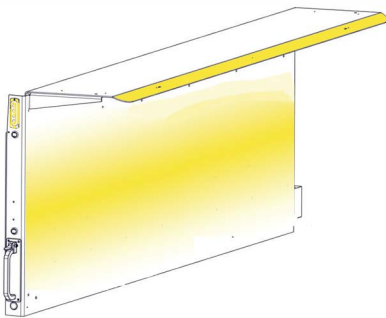
## FORD F-150 6.5FT BED A.R.E. 23" DCU TOPPER



**WSMotor070** - Motorized 70" Wall \*\$1,259



**WPC070** - Wall Weather Canopy \*\$196



**WSL006** - 6" Strobe Light \*\$60

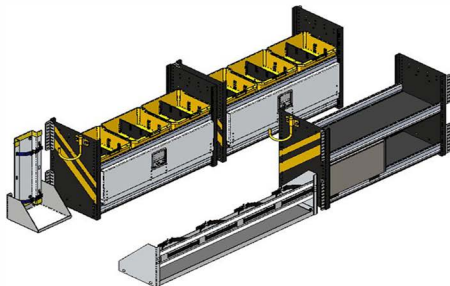
**WSL048** - 48" Light Strip for WPC070 \*\$138



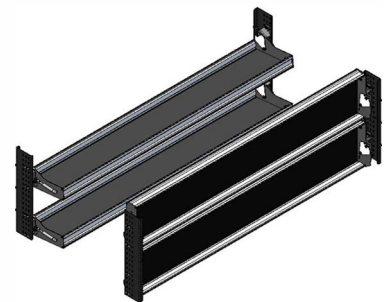
**CG1000XL-7548** \*\$2,221

**RANGER**  
DESIGN

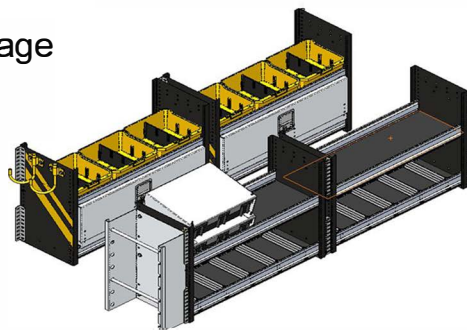
## SHELVING OPTIONS



**Q5668** - HVAC Package



**Q56669** - Delivery Package



**Q57622** - Electrical Package