

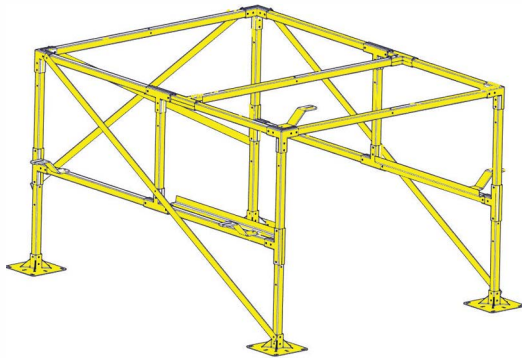
WALLSLIDE™

TRUCK WALLSLIDE™ FITMENT GUIDE

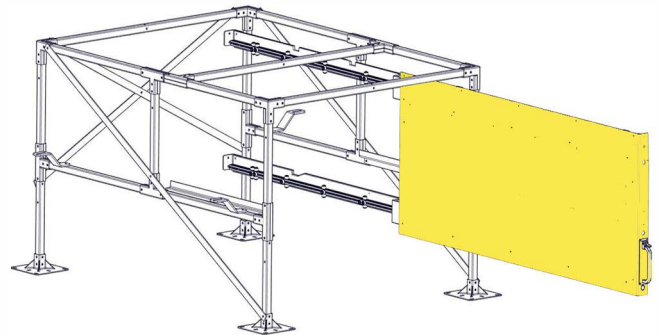
FORD SUPER DUTY 8FT BED A.R.E. 29" DCU



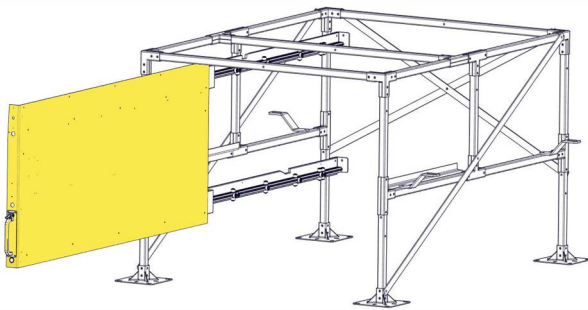
The **TRUCK WALLSLIDE** System is a steel framework mounted inside the truck with aluminum sliding walls. From motorized walls to lighting, **TRUCK WALLSLIDE** is fully customizable with several options and designed to attach most brands of shelving, bins, and containers onto our sliding walls.



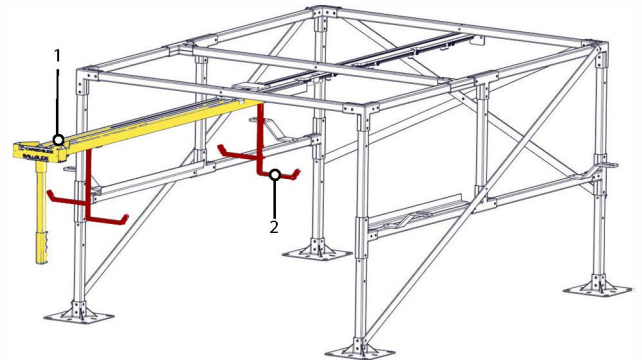
WSST510 - Framework Only *\$1,117



WSST512 - 90" Right Wall (no shelving) *\$2,140



WSST511 - 90" Left Wall (no shelving) *\$2,140



1 **WSRT510** - 90" Ceiling Slide Rail *\$1,440

2 **WSLadder1** - Fixed Ladder Racks *\$61

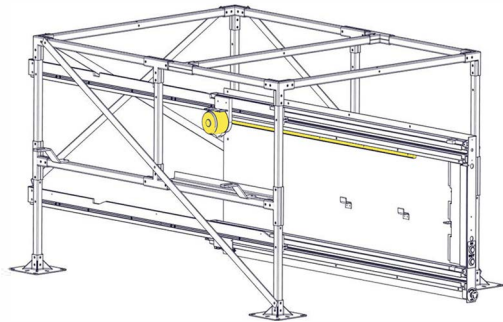
WSLadder1F - Foldable Ladder Racks *\$77

*Prices are MSRP

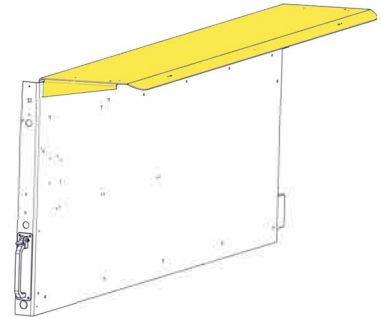


TRUCK WALLSLIDE

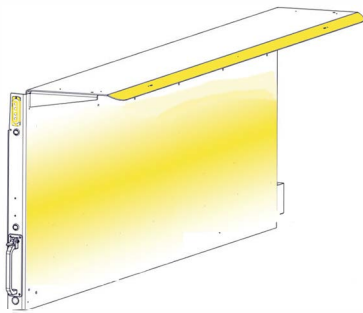
FORD SUPER DUTY 8FT BED A.R.E. 29" DCU



WSMotor090 - Motorized 90" Wall *\$1,259



WPC090 - Wall Weather Canopy *\$222



WSL006 - 6" Strobe Light *\$60

WSL048 - 48" Light Strip for WPC090 *\$138

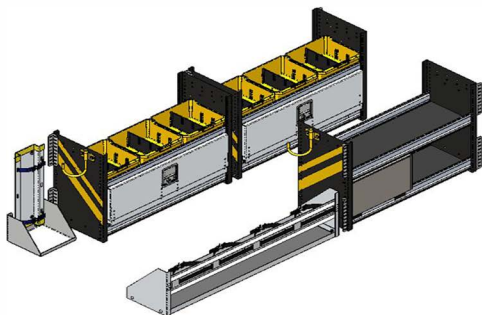


CG1500XL-9548 *\$2,872

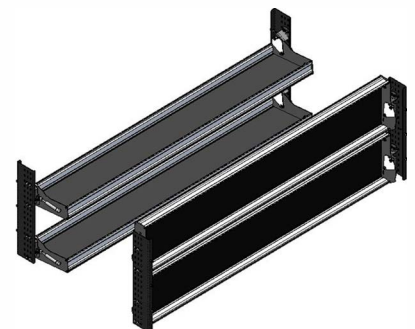
CG2200XL-9548 *\$3,062



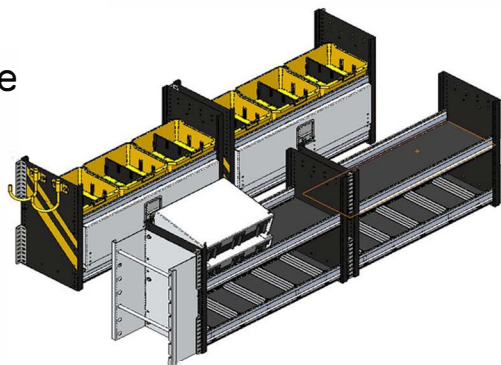
SHELVING OPTIONS



Q5668 - Hvac Package



Q56669 - Delivery Package



Q57622 - Electrical Package