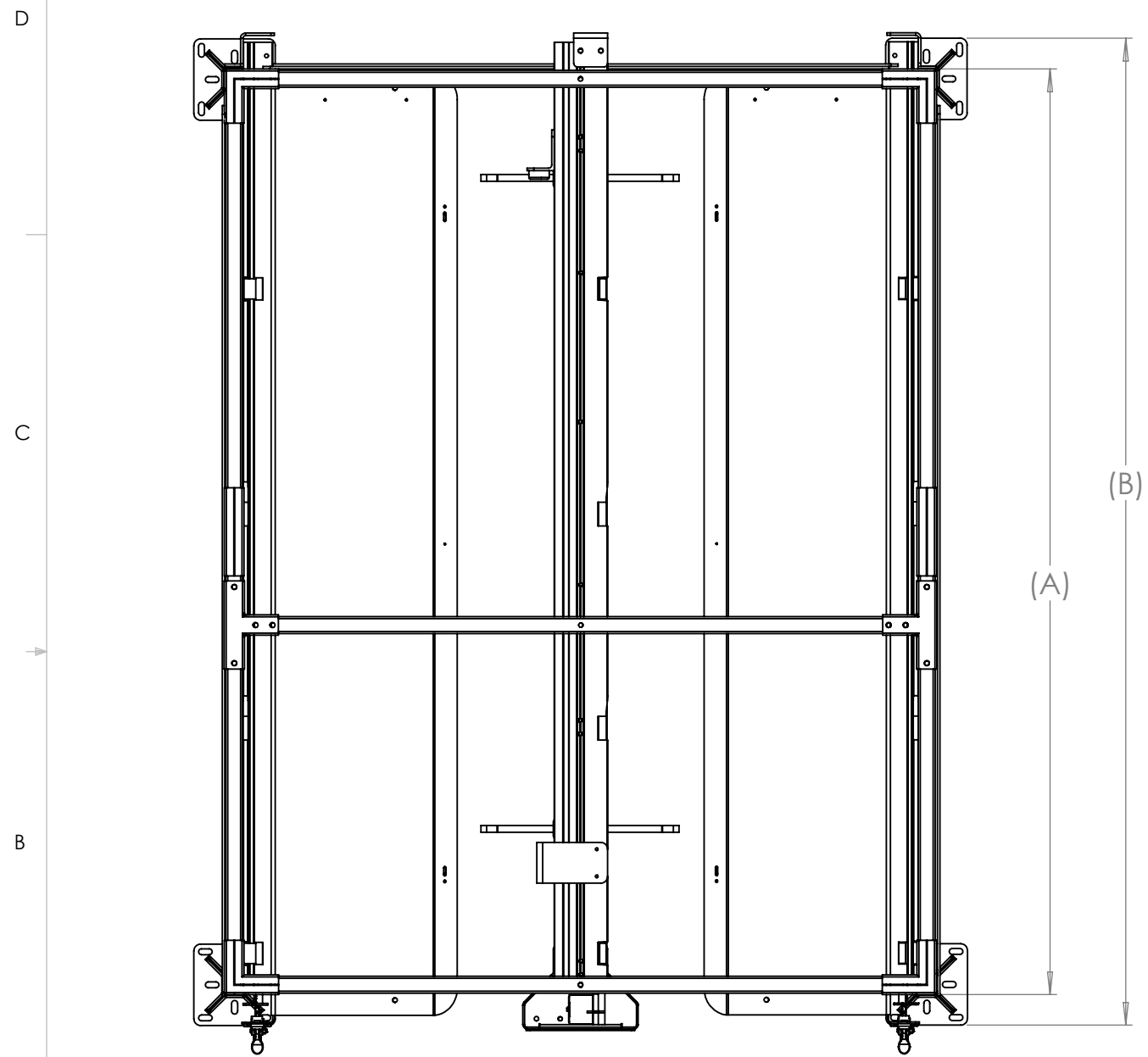
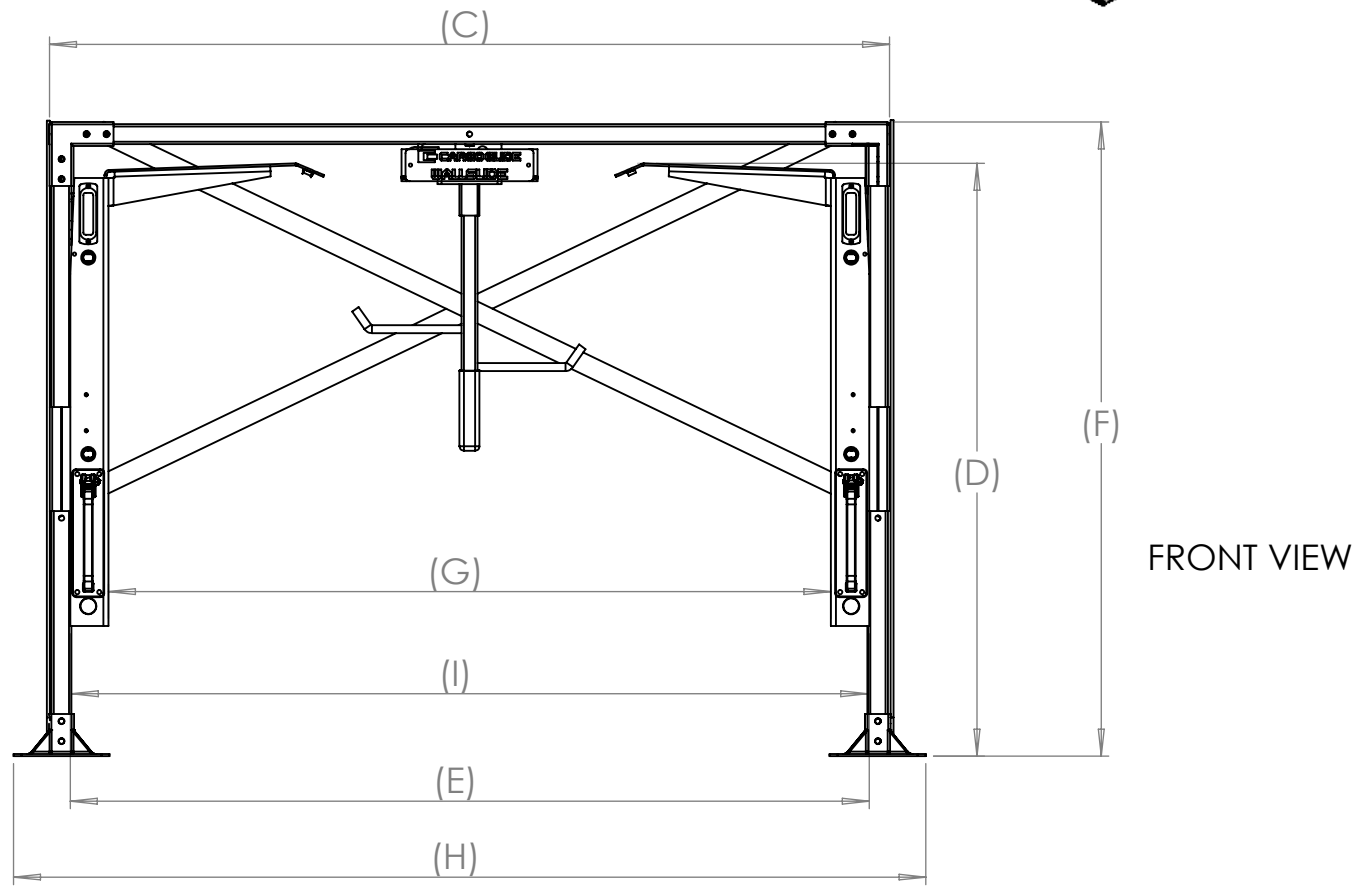
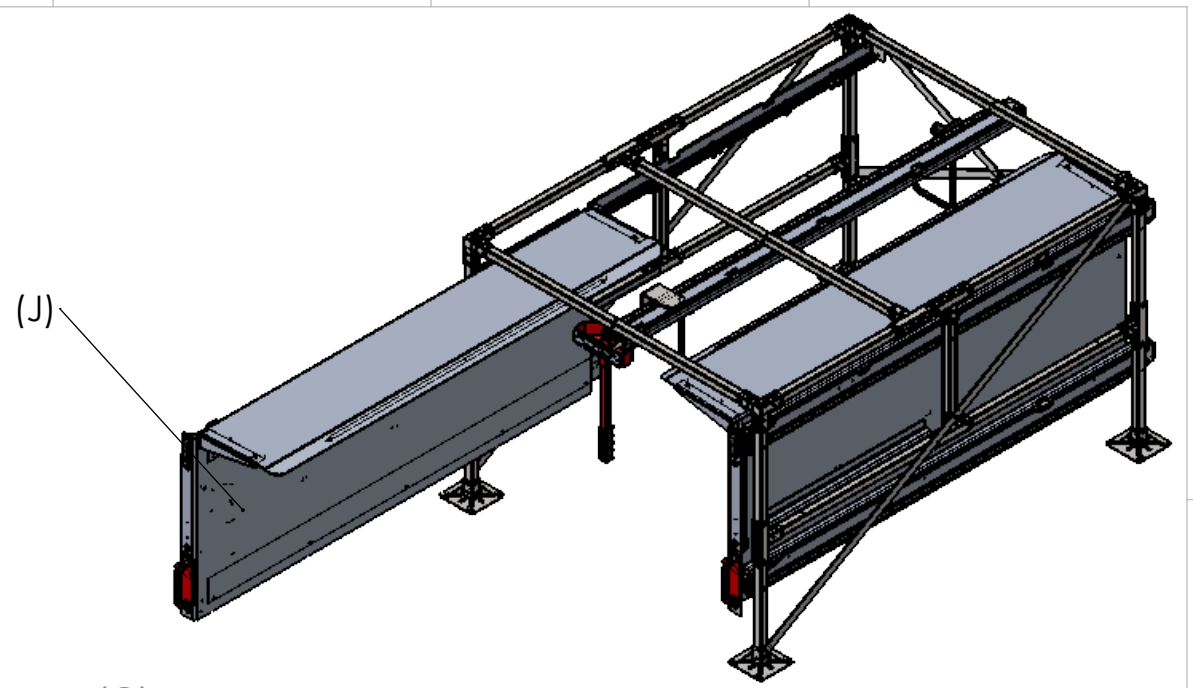


8 7 6 5 4 3 2 1



TOP VIEW



FRONT VIEW

**PROPRIETARY AND CONFIDENTIAL**  
 THE INFORMATION CONTAINED IN THIS DRAWING IS THE SOLE PROPERTY OF WALLSLIDE. ANY REPRODUCTION IN PART OR AS A WHOLE WITHOUT THE WRITTEN PERMISSION OF CARGOGLIDE IS PROHIBITED.

		UNLESS OTHERWISE SPECIFIED:		NAME	DATE
		DIMENSIONS ARE IN INCHES		DRAWN	DB
		TOLERANCES:		CHECKED	3/22/19
		FRACTIONAL ± 1/16"		ENG APPR.	
		ANGULAR: ± 0.5 Deg.		MFG APPR.	
		TWO PLACE DECIMAL ± .01		Q.A.	
		THREE PLACE DECIMAL ± .005		COMMENTS:	
		INTERPRET GEOMETRIC TOLERANCING PER: ASME Y14.5-2009			
		MATERIAL			
NEXT ASSY	USED ON	FINISH			
APPLICATION		DO NOT SCALE DRAWING			
			<b>WALLSLIDE</b>		
			TITLE: Truck WallSlide System Measurements		
SIZE	DWG. NO.			REV	
<b>B</b>				-	
SCALE: NTS		WEIGHT:		SHEET 1 OF 2	

8 7 6 5 4 3 2 1

## Truck 6.5' Bed WallSlide

Location	Description	Dimension
A	Upper Frame Length	68.25
B	Lower Frame Length	72.75
C	Upper Frame Width	52.50
<b>D</b>	<b>Min. Opening Height</b>	<b>37.00</b>
<b>E</b>	<b>Min. Opening Width</b>	<b>50.00</b>
F	Frame Height	39.625
G	Wall to Wall Inside	45.00
H	Lower Frame Width	57.00
I	Max CargoGlide Width	49.75
J	Wall Extension	50.625

## Truck 8' Bed WallSlide

Location	Description	Dimension
A	Upper Frame Length	86.25
B	Lower Frame Length	90.75
C	Upper Frame Width	52.50
<b>D</b>	<b>Min. Opening Height</b>	<b>43.00</b>
<b>E</b>	<b>Min. Opening Width</b>	<b>50.00</b>
F	Frame Height	45.625
G	Wall to Wall Inside	45.00
H	Lower Frame Width	57.00
I	Max CargoGlide Width	49.75
J	Wall Extension	62.00

**PROPRIETARY AND CONFIDENTIAL**  
 THE INFORMATION CONTAINED IN THIS  
 DRAWING IS THE SOLE PROPERTY OF  
 WALLSLIDE. ANY REPRODUCTION IN  
 PART OR AS A WHOLE WITHOUT THE  
 WRITTEN PERMISSION OF CARGOGLIDE  
 IS PROHIBITED.

		UNLESS OTHERWISE SPECIFIED:	NAME	DATE	<b>WALLSLIDE</b>
		DIMENSIONS ARE IN INCHES TOLERANCES: FRACTIONAL ± 1/16" ANGULAR: ± 0.5 Deg. TWO PLACE DECIMAL ± .01 THREE PLACE DECIMAL ± .005	DRAWN	DB	
		INTERPRET GEOMETRIC TOLERANCING PER: ASME Y14.5-2009	CHECKED		TITLE: Truck WallSlide System Measurements
		MATERIAL	ENG APPR.		
NEXT ASSY	USED ON	FINISH	MFG APPR.		SIZE <b>B</b>
APPLICATION		DO NOT SCALE DRAWING	Q.A.		DWG. NO.
			COMMENTS:		REV -
					SCALE: NTS
					WEIGHT:
					SHEET 2 OF 2