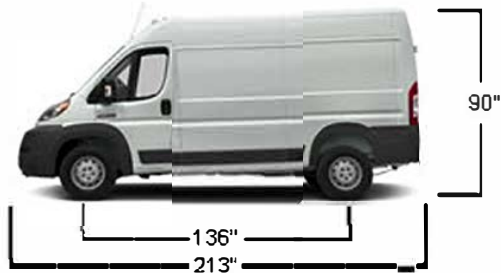


WALLSLIDE™

TM

WALLSLIDE™ FITMENT GUIDE

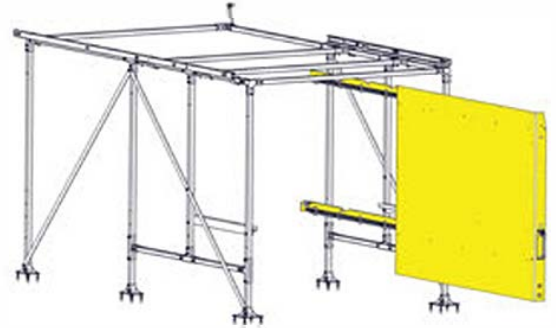
RAM PROMASTER LOW ROOF 136WB



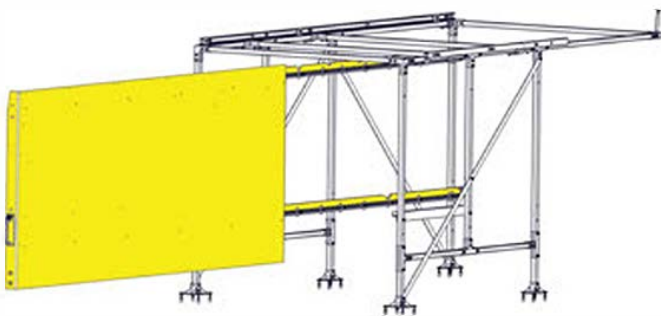
The **WALLSLIDE** System is a steel framework mounted inside the van with aluminum sliding walls. From motorized walls to lighting, **WALLSLIDE** is fully customizable with several options and designed to attach most brands of shelving, bins, and containers onto our sliding walls.



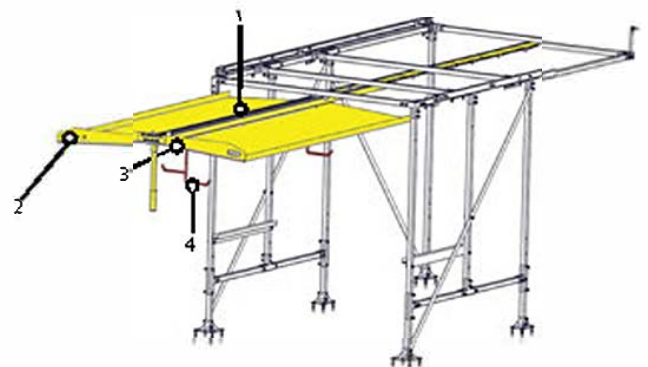
WSS420 - Framework Only *\$1,025



WSS422 - Right 60" Wall (no shelving) *\$2,237



WSS421 - Left 100" Wall (no shelving) *\$3,380

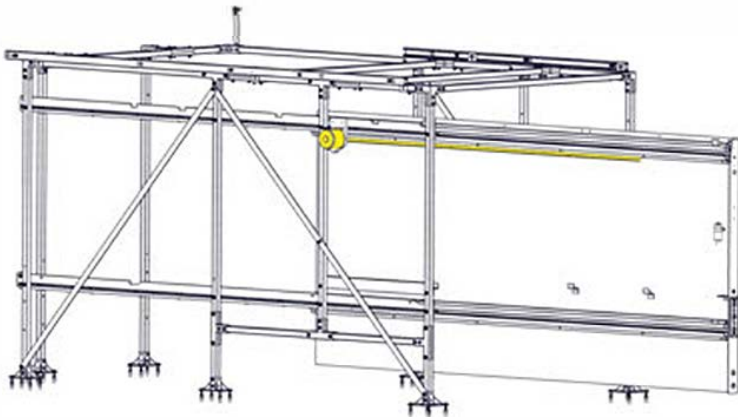


- 1 **WSR420** - Ceiling Slide Rail Only *\$1,359
- 2 **WSC420** - Ceiling Canopy Kit *2,156
- 3 **WSL072** - 72" Light Strip *\$166
- 4 **WSLadder1** - Fixed Ladder Racks *\$61
WSLadder1F - Folding Ladder Racks *\$77

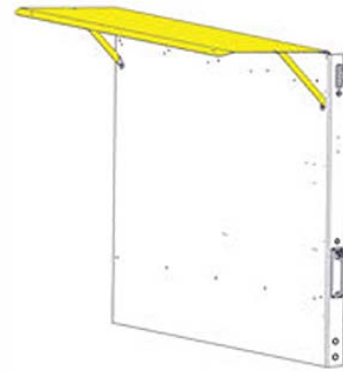
*Prices are MSRP

WALLSLIDE

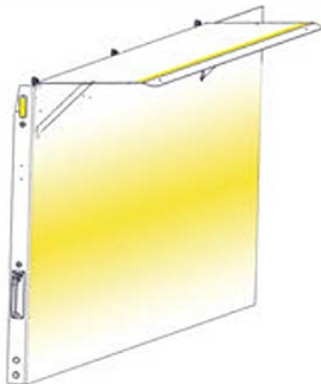
RAM PROMASTER LOW ROOF 136WB



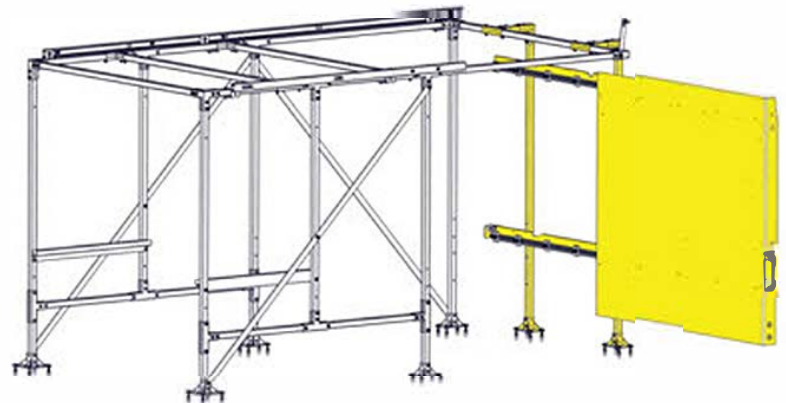
WSMotor421 - Motorized 100" Left Wall *\$1,259
WSMotor422 - Motorized 60" Right Wall *\$1,259



WPC100 - Wall Weather Canopy *\$222
WPC060 - Wall Weather Canopy *\$196



WSL006 - 6" Strobe Light *\$60
WSL048 - 48" Light Strip for WPC060 *\$138
WSL072 - 72" Light Strip for WPC100 *\$166



WSB420 - BulkHead Framework & Wall Only
Available Upon Request



WSGantry420 - Gantry Crane *\$1,988



WALLSLIDE Systems are compatible with **CARGOGLIDE** floor units that pull out of the rear and side of your van.