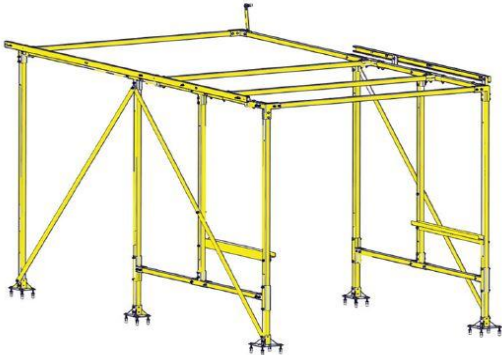
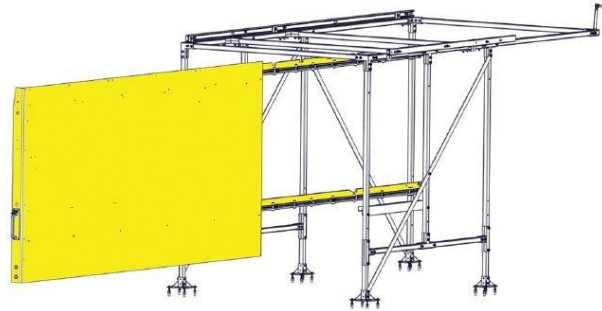


RAM PROMASTER, 136 WB HIGH ROOF

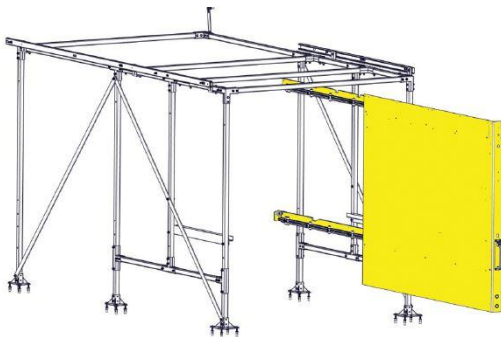
The WallSlide System is a steel framework mounted inside the van with all aluminum sliding wall panels attached. From motor operated walls to lighting, WallSlide is customizable with several options and designed to attach any brand of shelving, bins, and containers onto the sliding walls for custom organization and easier, safer access.



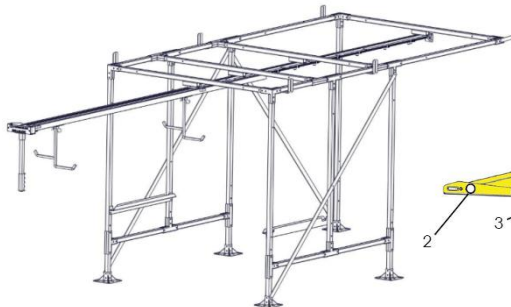
WSS430 – Framework only *\$977.36



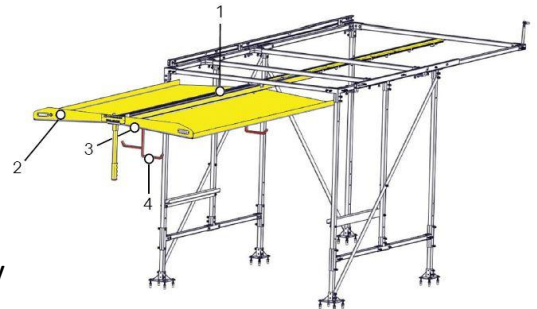
WSS431 – Left Wall (No Shelving) *\$3426.28
Wall is 102" Long and 54.75" High



WSS432 – Right Wall (No Shelving) *\$2498.54
Wall is 62" Long and 54.75" High



Ceiling Canopy Rail Only



Ceiling Canopy Kit

- 1 **WSR430** – Ceiling Canopy Rail Only *\$1201.53
- 2 **WSC430** – Ceiling Canopy Kit *\$2897.96
- 3 **WSL048C** – Ceiling Canopy Lighting Kit *\$257.96
- 4 **WSLADDER1** – (1) Fixed Ladder Rack *\$62.85
WSLADDER1F – (1) Folding Ladder Rack *\$79.99
(Must order 2 Ladder Racks)

*\$ Prices are MSRP

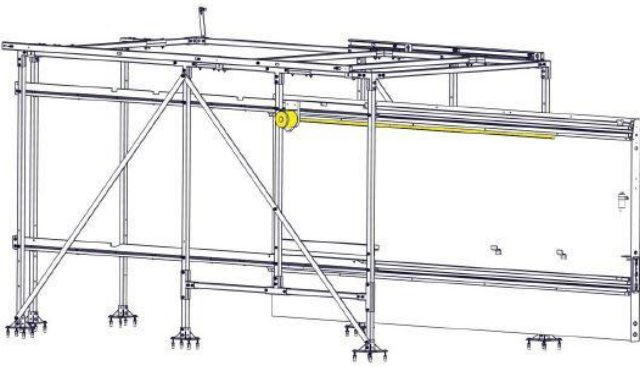
Additional Information:

Weight Capacity for each BARE wall is **600 lbs.**

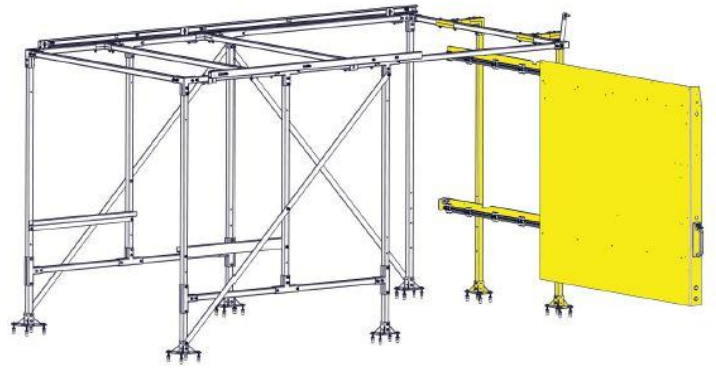
Recommended Rear Floor Slide size – **65 L 48 W, 65 L 47 W Max**

Recommended Side Floor Slide size – **48 L 39 W Max**

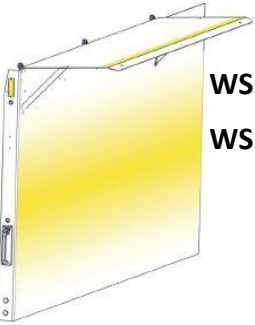
All Walls extend **70%** of the Wall Length.



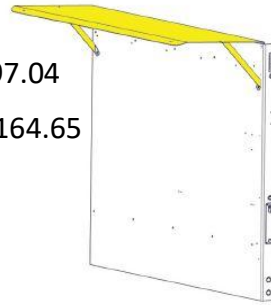
WSMOTOR431 – Motorized Left Wall Kit *\$1506.03
WSMOTOR432 – Motorized Right Wall Kit *\$1506.03



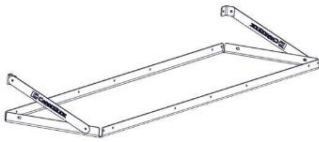
WSS433 – Bulkhead Framework & Wall *\$2458.50
 Wall is 56.5" Long and 54.75" High
WPC433 – Bulkhead Wall Canopy *\$201.86
WSL48B – Bulkhead Wall Canopy Lighting Kit *\$195.89



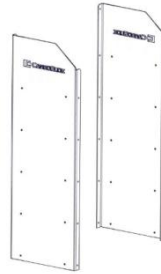
WSL048L – Left Wall Canopy Lighting Kit *\$197.04
WSL048R – Right Wall Canopy Lighting Kit *\$164.65



WPC431 – Left Wall Canopy *\$229.39
WPC432 – Right Wall Canopy *\$201.86



Single Shelf
 With Brackets



End Caps



Example Picture:
 (3) **WSSHELF-6016** w/ (1) **WSSHELF-EC3616**

*\$ Prices are MSRP

RECOMMENDED SHELVING OPTIONS - Weight Capacity for each shelf is **200 lbs.**

Each shelf sold individually: Includes (1) Shelf w/ (2) Brackets

End Caps sold in pairs: Includes (2) End Caps

Left Wall	WSSHELF-6016 - 60" Length, 16" Deep *\$536.87
Wall	WSSHELF-6013 - 60" Length, 13" Deep *\$520.80
Right Wall	WSSHELF-6016 - 60" Length, 16" Deep *\$536.87
Wall	WSSHELF-6013 - 60" Length, 13" Deep *\$520.80
Bulkhead Wall	WSSHELF-5416 - 54" Length, 16" Deep *\$536.87
	WSSHELF-5413 - 54" Length, 13" Deep *\$520.80

WSSHELF-EC4816 - 48" High, 16" Deep End Caps*\$457.09
WSSHELF-EC4813 - 48" High, 13" Deep End Caps*\$457.09
WSSHELF-EC3616 - 36" High, 16" Deep End Caps*\$457.09
WSSHELF-EC3613 - 36" High, 13" Deep End Caps*\$457.09
WSSHELF-EC2416 - 24" High, 16" Deep End Caps*\$457.09
WSSHELF-EC2413 - 24" High, 13" Deep End Caps*\$457.09