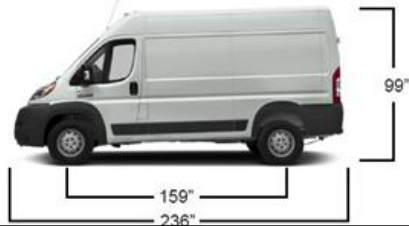
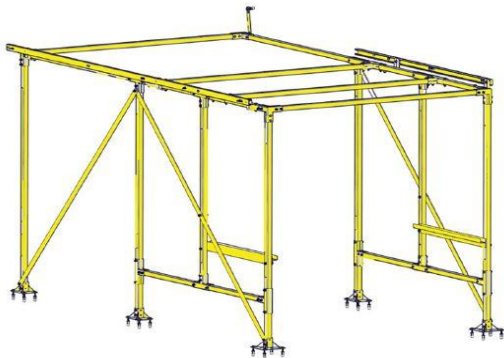
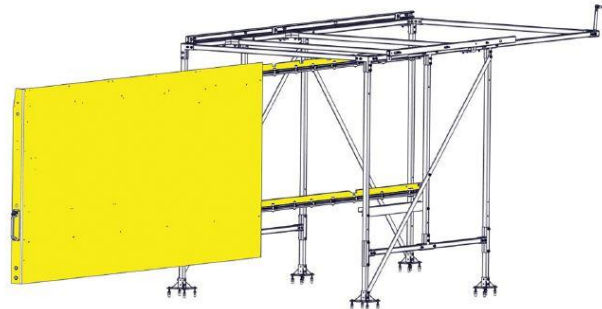


RAM PROMASTER, 159 WB High Roof

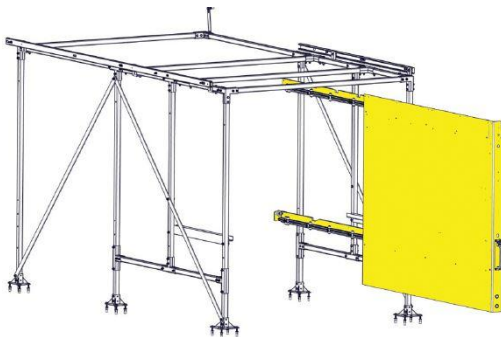
The WallSlide System is a steel framework mounted inside the van with all aluminum sliding wall panels attached. From motor operated walls to lighting, WallSlide is customizable with several options and designed to attach any brand of shelving, bins, and containers onto the sliding walls for custom organization and easier, safer access.



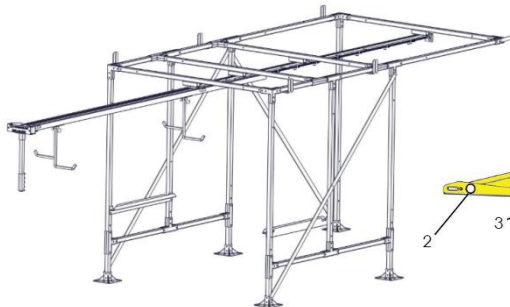
WSS450 – Framework only *\$1071.26



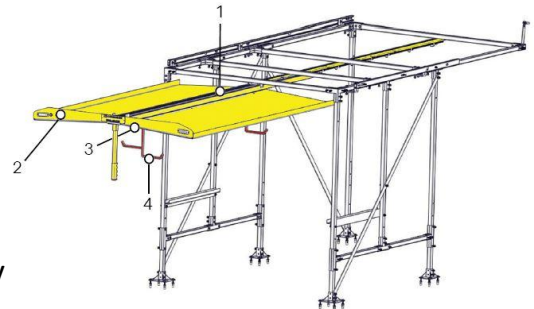
WSS451 – Left Wall (No Shelving) *\$3677.62
Wall is 112" Long and 59" High



WSS452 – Right Wall (No Shelving) *\$2996.80
Wall is 86" Long and 59" High



Ceiling Canopy Rail Only



Ceiling Canopy Kit

- 1 **WSR450** – Ceiling Canopy Rail Only *\$1209.19
- 2 **WSC450** – Ceiling Canopy Kit *\$2854.52
- 3 **WSL072C** – Ceiling Canopy Lighting Kit *\$285.61
- 4 **WSLADDER1** – (1) Fixed Ladder Rack *\$62.85
WSLADDER1F – (1) Folding Ladder Rack *\$79.99
(Must order 2 Ladder Racks)

*\$ Prices are MSRP

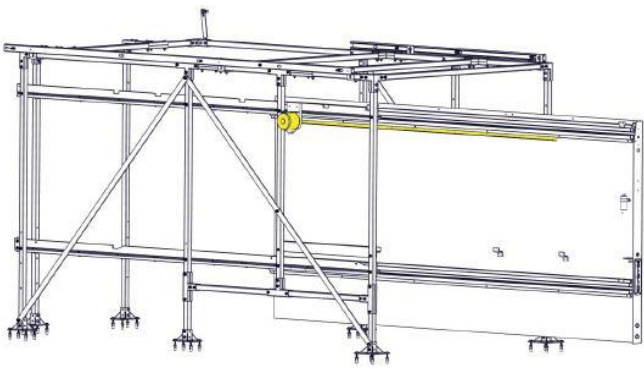
Additional Information:

Weight Capacity for each BARE wall is **600 lbs.**

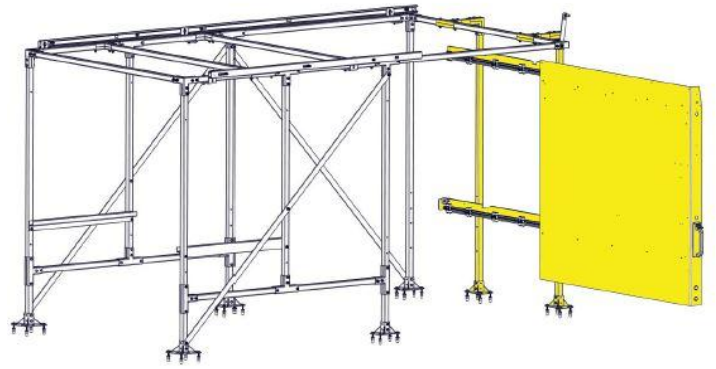
Recommended Rear Floor Slide size – **88 L 48 W**

Recommended Side Floor Slide size – **58 L 38 W Max , 65 L 47 W Max**

All Walls extend **70%** of the Wall Length.



WSMOTOR451 – Motorized Left Wall Kit *\$1297
WSMOTOR452 – Motorized Right Wall Kit *\$1297



WSS453 – Bulkhead Framework & Wall *\$2560.21
 Wall is 57.5" Long and 59" High

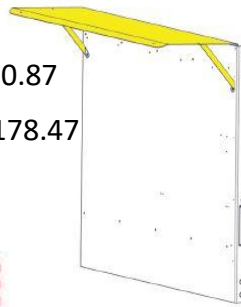
WPC453 – Bulkhead Wall Canopy *\$201.86

WSL048B – Bulkhead Wall Canopy Lighting Kit *\$195.89



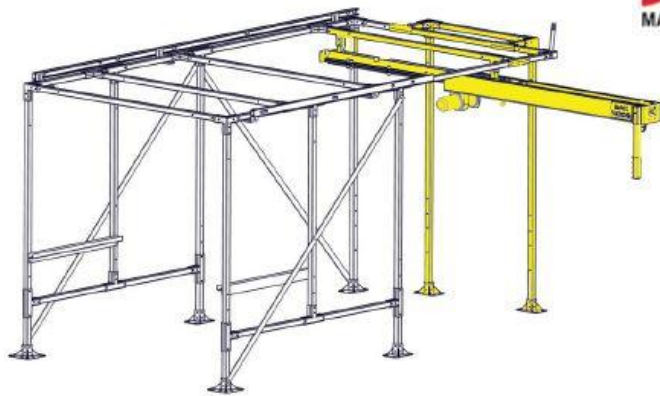
WSL072L – Left Wall Canopy Lighting Kit *\$210.87

WSL072R – Right Wall Canopy Lighting Kit *\$178.47

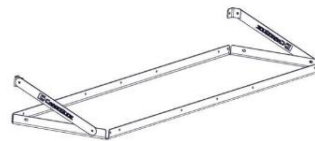


WPC451 – Left Wall Canopy *\$229.39

WPC452 – Right Wall Canopy *\$201.86



GANTRY CRANE COMING SOON!



Single Shelf
With Brackets



End Caps



Example Picture:

(3) WSSHELF-8416 w/ (1) WSSHELF-EC3616

***\$ Prices are MSRP**

RECOMMENDED SHELVING OPTIONS - Weight Capacity for each shelf is 200 lbs.

Each shelf sold individually: Includes (1) Shelf w/ (2) Brackets

End Caps sold in pairs: Includes (2) End Caps

Left Wall **WSSHELF-8416** - 84" Length, 16" Deep *\$536.87

Wall **WSSHELF-8413** - 84" Length, 13" Deep *\$520.80

Right Wall **WSSHELF-7216** - 72" Length, 16" Deep *\$536.87

Wall **WSSHELF-7213** - 72" Length, 13" Deep *\$520.80

Bulkhead Wall **WSSHELF-5416** - 54" Length, 16" Deep *\$536.87

Wall **WSSHELF-5413** - 54" Length, 13" Deep *\$520.80

WSSHELF-EC4816 - 48" High, 16" Deep End Caps*\$457.09

WSSHELF-EC4813 - 48" High, 13" Deep End Caps*\$457.09

WSSHELF-EC3616 - 36" High, 16" Deep End Caps*\$457.09

WSSHELF-EC3613 - 36" High, 13" Deep End Caps*\$457.09

WSSHELF-EC2416 - 24" High, 16" Deep End Caps*\$457.09

WSSHELF-EC2413 - 24" High, 13" Deep End Caps*\$457.09