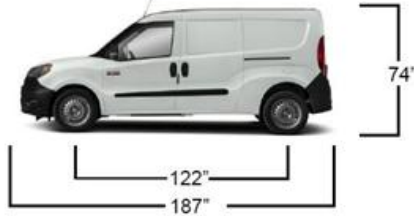
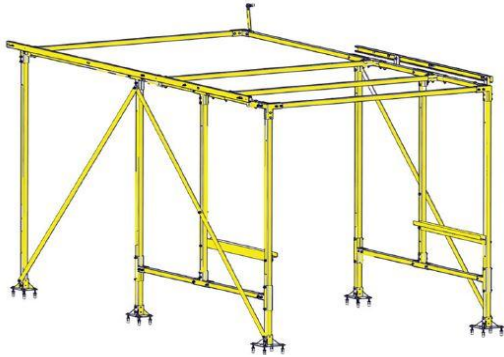
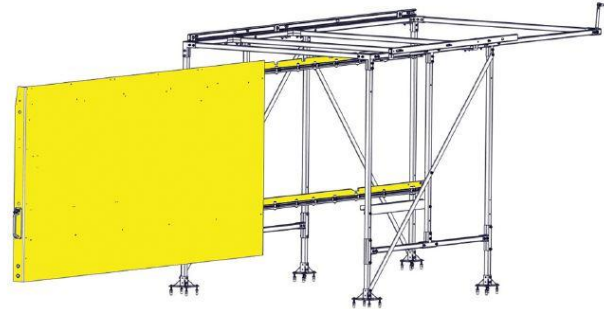


RAM PROMASTER CITY, 122 WB STANDARD ROOF

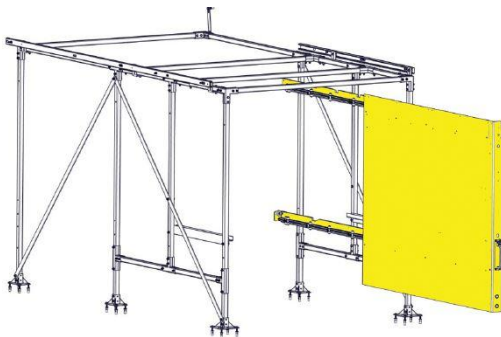
The WallSlide System is a steel framework mounted inside the van with all aluminum sliding wall panels attached. From motor operated walls to lighting, WallSlide is customizable with several options and designed to attach any brand of shelving, bins, and containers onto the sliding walls for custom organization and easier, safer access.



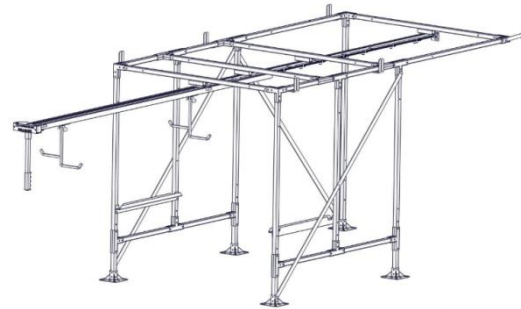
WSS460 – Framework only *\$751.51



WSS461 – Left Wall (No Shelving) *\$2077.02
Wall is 48" Long and 43.25" High



WSS462 – Right Wall (No Shelving) *\$2077.02
Wall is 48" Long and 43.25" High



Ceiling Canopy Rail Only

WSR460 – Ceiling Canopy Rail Only *\$774.93
WSLADDER1 – (1) Fixed Ladder Rack *\$62.85
WSLADDER1F – (1) Folding Ladder Rack *\$79.99
(Must order 2 Ladder Racks)

*\$ Prices are MSRP

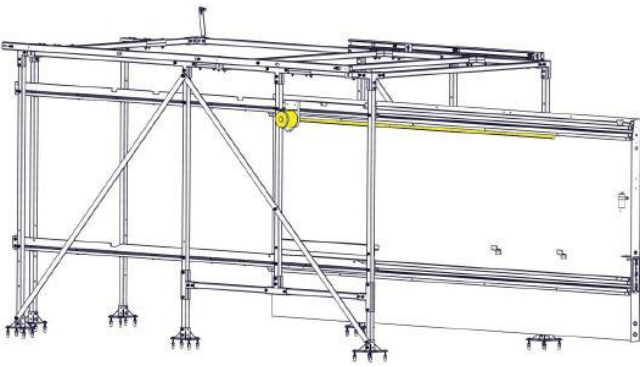
Additional Information:

Weight Capacity for each BARE wall is **600 lbs.**

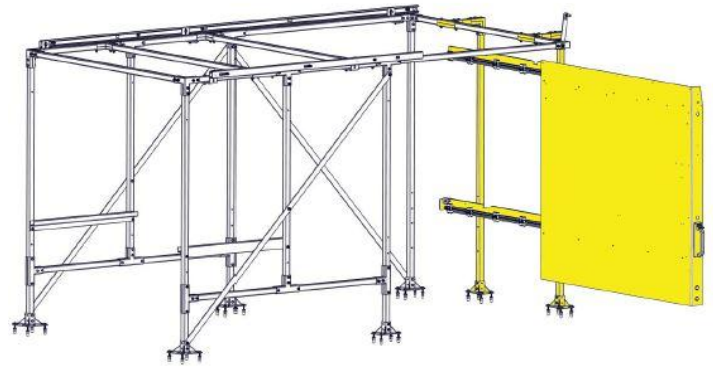
Recommended Rear Floor Slide size – **75 L 48 W**

Recommended Side Floor Slide size – **48 L 48 W**

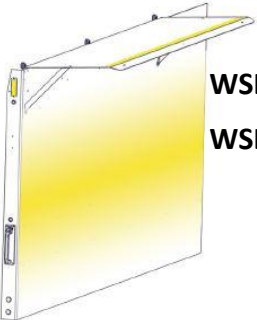
All Walls extend **70%** of the Wall Length.



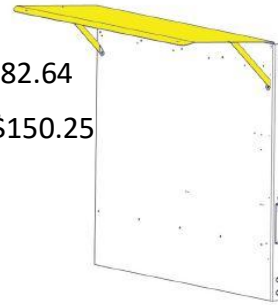
WSMOTOR461 – Motorized Left Wall Kit *\$1297.00
WSMOTOR462 – Motorized Right Wall Kit *\$1297.00



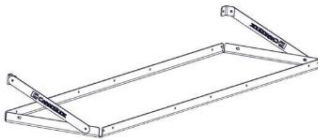
WSS463 – Bulkhead Framework & Wall *\$2374.21
 Wall is 52" Long and 40.75" High



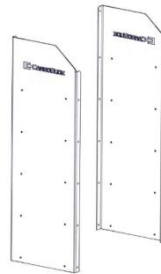
WSL024L – Left Wall Canopy Lighting Kit *\$182.64
WSL024R – Right Wall Canopy Lighting Kit *\$150.25



WPC461 – Left Wall Canopy *\$229.39
WPC462 – Right Wall Canopy *\$201.86



Single Shelf
 With Brackets



End Caps



Example Picture:
 (3) **WSSHELF-4216** w/ (1) **WSSHELF-EC2416**

*\$ Prices are MSRP

RECOMMENDED SHELVING OPTIONS - Weight Capacity for each shelf is **200 lbs.**

Each shelf sold individually: Includes (1) Shelf w/ (2) Brackets

End Caps sold in pairs: Includes (2) End Caps

Left **WSSHELF-4216** - 42" Length, 16" Deep *\$350.92

Wall **WSSHELF-4213** - 42" Length, 13" Deep *\$338.08

Right **WSSHELF-4216** - 42" Length, 16" Deep *\$350.92

Wall **WSSHELF-4213** - 42" Length, 13" Deep *\$338.08

Bulkhead **WSSHELF-4816** - 48" Length, 16" Deep *\$350.92

Wall **WSSHELF-4813** - 48" Length, 13" Deep *\$338.08

WSSHELF-EC2416 - 24" High, 16" Deep End Caps*\$457.09

WSSHELF-EC2413 - 24" High, 13" Deep End Caps*\$457.09